

Grease Fittings

BSG, BHG, LSH, PIF, VFS and ICS Series



FITOK

www.fitok.com

Contents

Vented Cap Body Grease Fittings

BSG Series and BHG Series



1

High Pressure Lubrication and Sealant Fittings

LSH Series



4

Packing Injection Fittings

PIF Series



6

Body Vent Bleeder Fittings

VFS Series



8

Internal Check Fittings

ICS Series



10

Fittings Accessories

Grease Gun Lube Adapter and Pressure Relief Tools



11

Vented Cap Body Grease Fittings

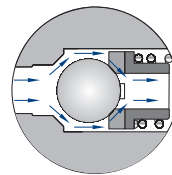
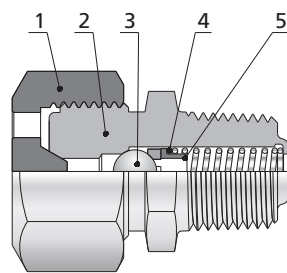
BSG Series

Features

- ⦿ Maximum working pressure: 10,000 psig (690 bar)
- ⦿ All-metal construction, applicable in both high and low temperature environments
- ⦿ Materials compliant with NACE MR0175 in sour gas service optional

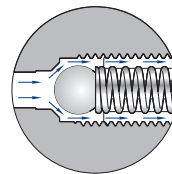
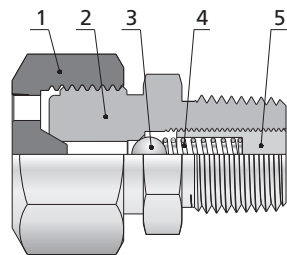
Standard Materials of Construction

Positive Flow



When the ball is off the body, the lubricant or sealant shall flow through the center of the spring, without flowing through the spring coil, reducing the tendency to "pack-off".

Free Flow

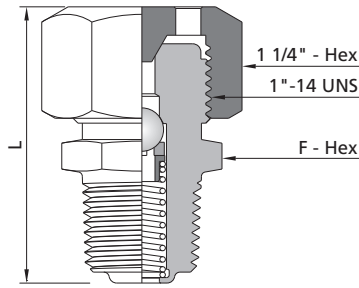


When the ball is off the body, the lubricant or sealant shall flow around the spring and through the opening on the sides of the retainer, to allow increased flow rates.

No.	Component	Material Grade/ASTM Specification
1	Vent Cap	316 SS/A479
2	Body	316 SS/A479
3	Ball	440C/A276
4	Spring	Alloy X-750/AMS 5699
5	Retainer	316 SS/A479

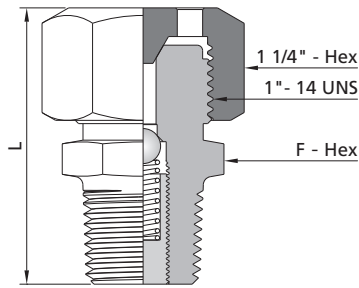
Dimensions

Positive Flow



NPT Male Thread			
Basic Ordering Number	Connection Type and Size	Dimension, in.(mm)	
		L	F
□□-BSG-NS4-PF	1/4" NPT Male Thread	1.95(49.6)	1.00(25.4)
□□-BSG-NS6-PF	3/8" NPT Male Thread	1.95(49.6)	1.00(25.4)
□□-BSG-NS8-PF	1/2" NPT Male Thread	1.95(49.6)	1.00(25.4)
□□-BSG-NS12-PF	3/4" NPT Male Thread	1.97(50.1)	1.13(28.6)
□□-BSG-NS16-PF	1" NPT Male Thread	2.36(60.0)	1.31(33.3)

Free Flow



NPT Male Thread			
Basic Ordering Number	Connection Type and Size	Dimension, in.(mm)	
		L	F
□□-BSG-NS4-FF	1/4" NPT Male Thread	1.95(49.6)	1.00(25.4)
□□-BSG-NS6-FF	3/8" NPT Male Thread	1.95(49.6)	1.00(25.4)
□□-BSG-NS8-FF	1/2" NPT Male Thread	1.95(49.6)	1.00(25.4)
□□-BSG-NS12-FF	3/4" NPT Male Thread	1.97(50.1)	1.13(28.6)
□□-BSG-NS16-FF	1" NPT Male Thread	2.17(55.0)	1.31(33.3)

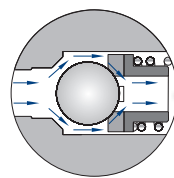
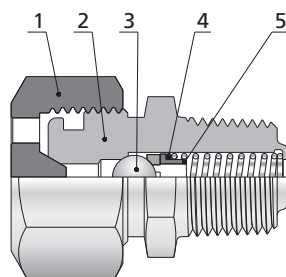
BHG Series

Features

- ◎ Maximum working pressure: 10,000 psig (690 bar)
- ◎ Giant button head design offers the flexibility of connecting to the fittings in both Slip-On or Thread-On methods
- ◎ All-metal construction, applicable in both high-temperature and low-temperature environments
- ◎ Materials compliant with NACE MR0175 in sour gas service optional

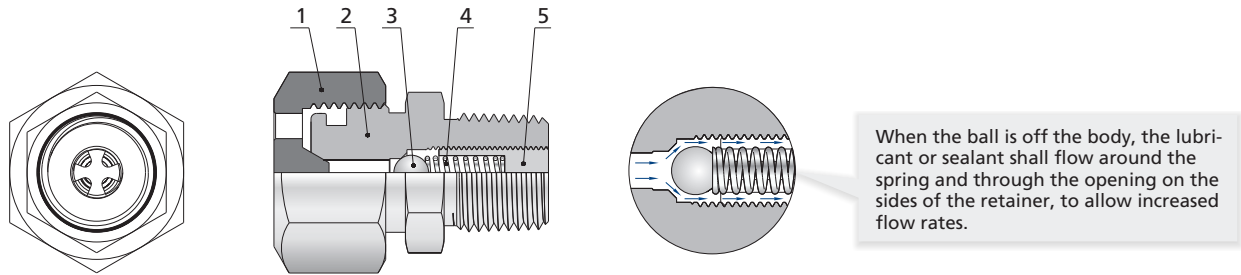
Standard Materials of Construction

Positive Flow



When the ball is off the body, the lubricant or sealant shall flow through the center of the spring, without flowing through the spring coil, reducing the tendency to "pack-off".

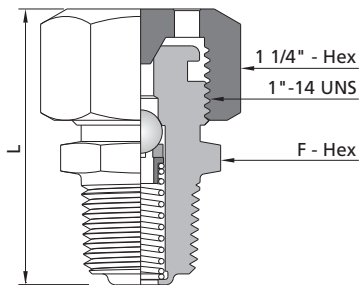
Free Flow



No.	Component	Material Grade/ASTM Specification
1	Vent Cap	316 SS/A479
2	Body	316 SS/A479
3	Ball	440C/A276
4	Ball Support	316 SS/A479
5	Spring	Alloy X-750/AMS 5699

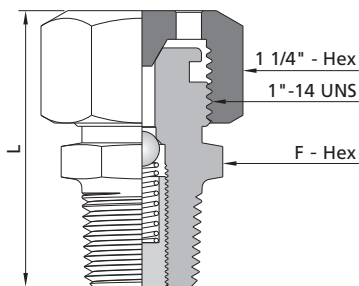
Dimensions

Positive Flow



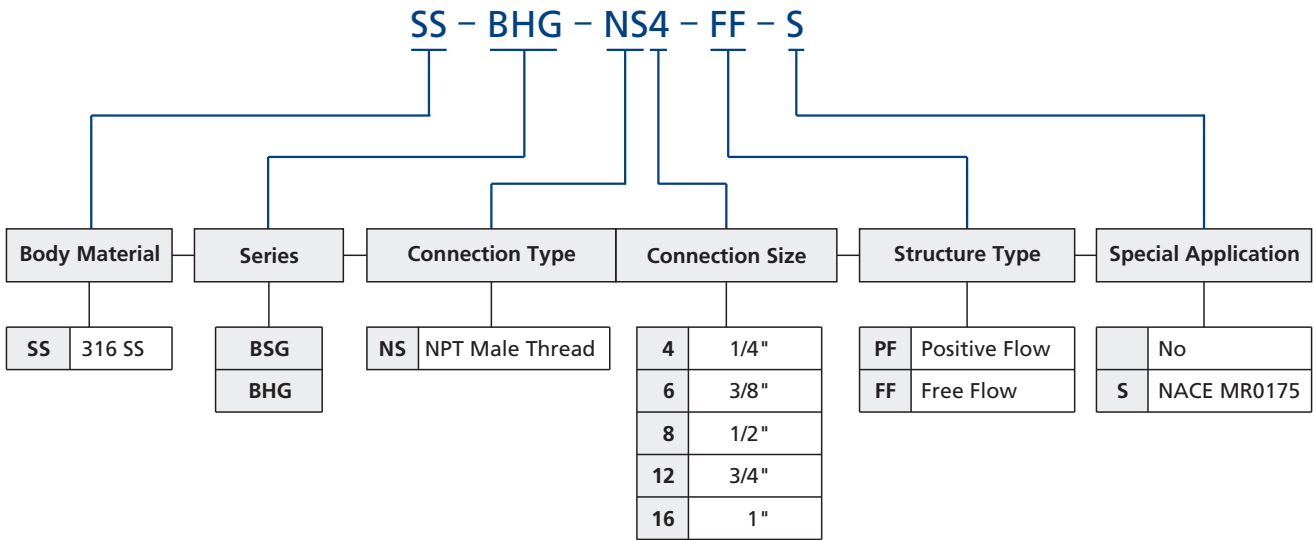
NPT Male Thread			
Basic Ordering Number	Connection Type and Size	Dimension, in.(mm)	
		L	F
<input type="checkbox"/> -BHG-NS4-PF	1/4" NPT Male Thread	1.91(48.6)	1.00(25.4)
<input type="checkbox"/> -BHG-NS6-PF	3/8" NPT Male Thread	1.95(49.6)	1.00(25.4)
<input type="checkbox"/> -BHG-NS8-PF	1/2" NPT Male Thread	1.97(50.1)	1.00(25.4)
<input type="checkbox"/> -BHG-NS12-PF	3/4" NPT Male Thread	1.97(50.1)	1.13(28.6)
<input type="checkbox"/> -BHG-NS16-PF	1" NPT Male Thread	2.36(60.0)	1.31(33.3)

Free Flow



NPT Male Thread			
Basic Ordering Number	Connection Type and Size	Dimension, in.(mm)	
		L	F
<input type="checkbox"/> -BHG-NS4-FF	1/4" NPT Male Thread	1.91(48.6)	1.00(25.4)
<input type="checkbox"/> -BHG-NS6-FF	3/8" NPT Male Thread	1.95(49.6)	1.00(25.4)
<input type="checkbox"/> -BHG-NS8-FF	1/2" NPT Male Thread	1.97(50.1)	1.00(25.4)
<input type="checkbox"/> -BHG-NS12-FF	3/4" NPT Male Thread	1.97(50.1)	1.13(28.6)
<input type="checkbox"/> -BHG-NS16-FF	1" NPT Male Thread	2.17(55.0)	1.31(33.3)

Ordering Number Description



Note: "Ordering Number Description" is a reference to the alpha-numeric combinations that make-up FITOK product part numbers. Not all available combinations are listed.

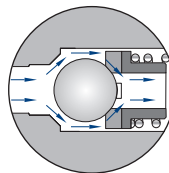
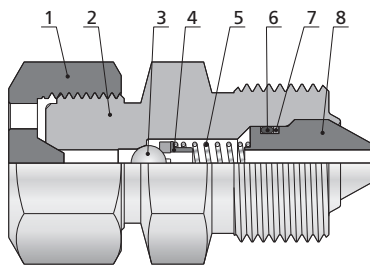
High Pressure Lubrication and Sealant Fittings

LSH Series

Features

- ⦿ Maximum working pressure: 20,000 psig (1379 bar)
- ⦿ Floating style design to prevent galling

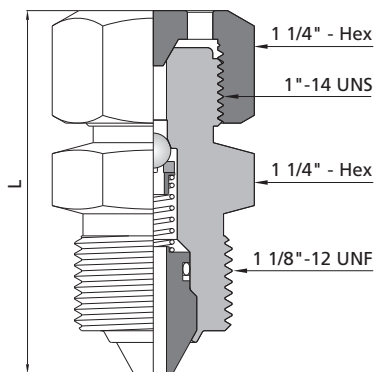
Standard Materials of Construction



When the ball is off the body, the lubricant or sealant shall flow through the center of the spring, without flowing through the spring coil, reducing the tendency to "pack-off".

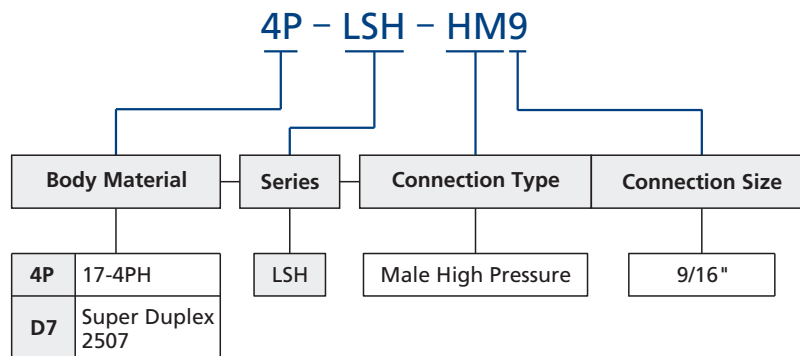
No.	Component	Body Material	
		17-4PH	Super Duplex 2507
		Material Grade/ASTM Specification	
1	Vent Cap	316SS/A479	S32750/A479
2	Body	S17400/A564	S32750/A479
3	Ball	Tungsten Carbide	Tungsten Carbide
4	Ball Support	S17400/A564	S32750/A479
5	Spring	Alloy X-750/AMS 5699	Alloy X-750/AMS 5699
6	O-ring	FKM	FKM
7	Backup Ring	PTFE/D1710	PTFE/D1710
8	Floating Cone	316SS/A479	S32750/A479

Dimensions



Basic Ordering Number	Connection Type and Size	Dimension, in.(mm)
		L
□□-LSH-HM9	9/16" Male High Pressure	2.59(65.8)

Ordering Number Description



Note: "Ordering Number Description" is a reference to the alpha-numeric combinations that make-up FITOK product part numbers. Not all available combinations are listed.

Packing Injection Fittings

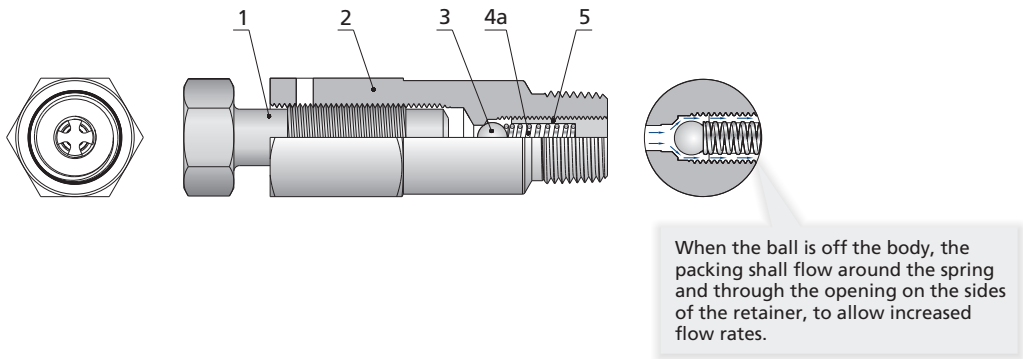
PIF Series

Features

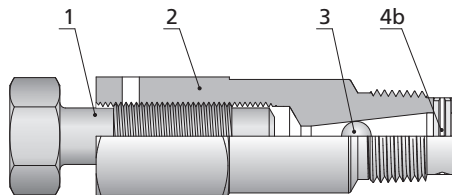
- ⦿ Maximum working pressure: 10,000 psig (690 bar)
- ⦿ All-metal construction, applicable in both high and low temperature environments
- ⦿ Materials compliant with NACE MR0175 in sour gas service optional

Standard Materials of Construction

Free Flow



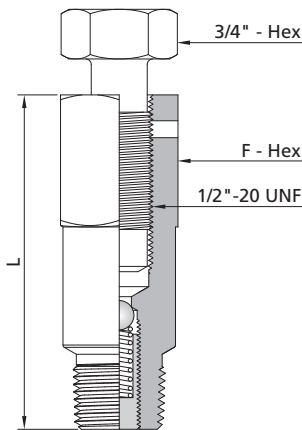
Floating Ball-Taper Cavity



No.	Component	Material Grade/ASTM Specification
1	Screw	316 SS/A479
2	Body	316 SS/A479
3	Ball	440C/A276
4a	Spring	Alloy X-750/AMS 5699
4b	Spring Round Pin	Stainless Steel
5	Retainer	316 SS/A479

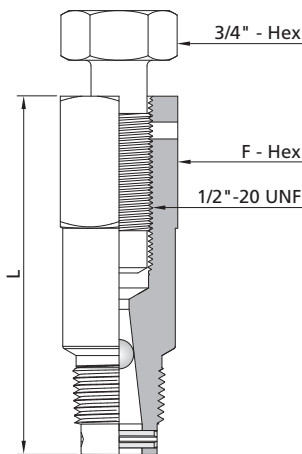
Dimensions

Free Flow



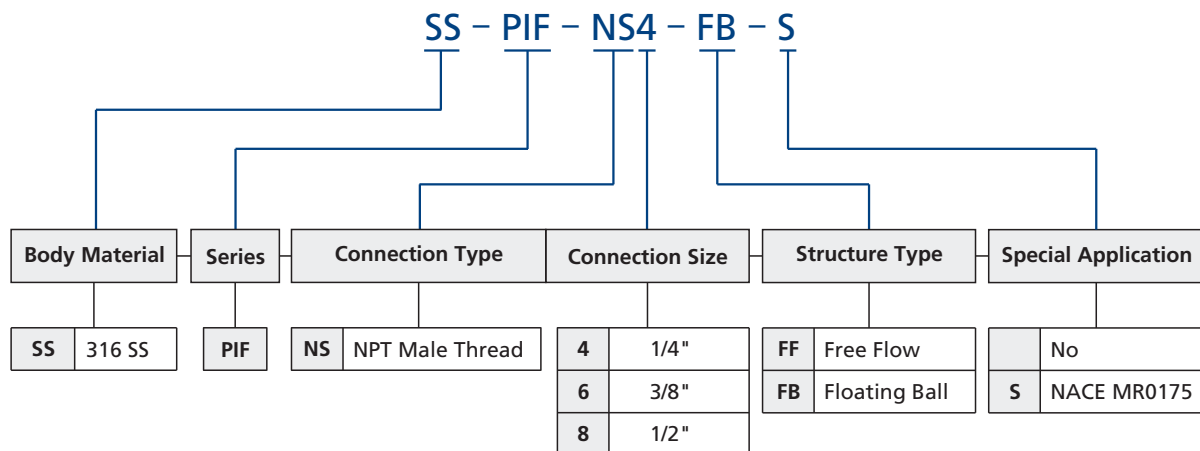
NPT Male Thread			
Basic Ordering Number	Connection Type and Size	Dimension, in.(mm)	
		L	F
□□-PIF-NS4-FF	1/4" NPT Male Thread	2.49(63.3)	0.88(22.2)
□□-PIF-NS6-FF	3/8" NPT Male Thread	2.49(63.3)	0.88(22.2)
□□-PIF-NS8-FF	1/2" NPT Male Thread	2.49(63.3)	0.88(22.2)

Floating Ball-Taper Cavity



NPT Male Thread			
Basic Ordering Number	Connection Type and Size	Dimension, in.(mm)	
		L	F
□□-PIF-NS4-FB	1/4" NPT Male Thread	2.34(59.5)	0.86(22.2)
□□-PIF-NS6-FB	3/8" NPT Male Thread	2.43(61.8)	0.86(22.2)
□□-PIF-NS8-FB	1/2" NPT Male Thread	2.35(59.8)	0.86(22.2)

Ordering Number Description



Note: "Ordering Number Description" is a reference to the alpha-numeric combinations that make-up FITOK product part numbers. Not all available combinations are listed.

Body Vent Bleeder Fittings

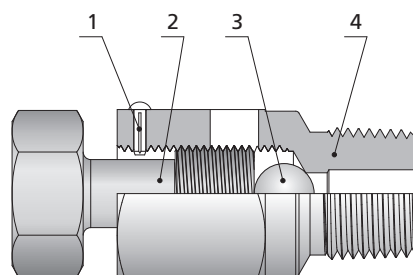
VFS Series

Features

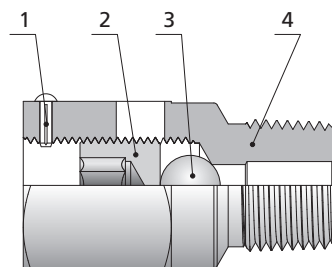
- ◎ Maximum working pressure: 10,000 psig (690 bar)
- ◎ All-metal construction, applicable in both high and low temperature environments
- ◎ Materials compliant with NACE MR0175 in sour gas service optional

Standard Materials of Construction

Standard Hex



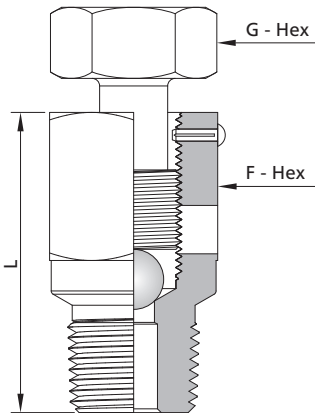
Sunk Screw



No.	Component	Material Grade/ASTM Specification
1	Round Head Grooved Pin	316 SS/A479
2	Screw	316 SS/A479
3	Ball	440C/A276
4	Body	316 SS/A479

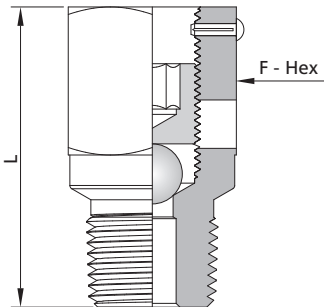
Dimensions

Standard Hex



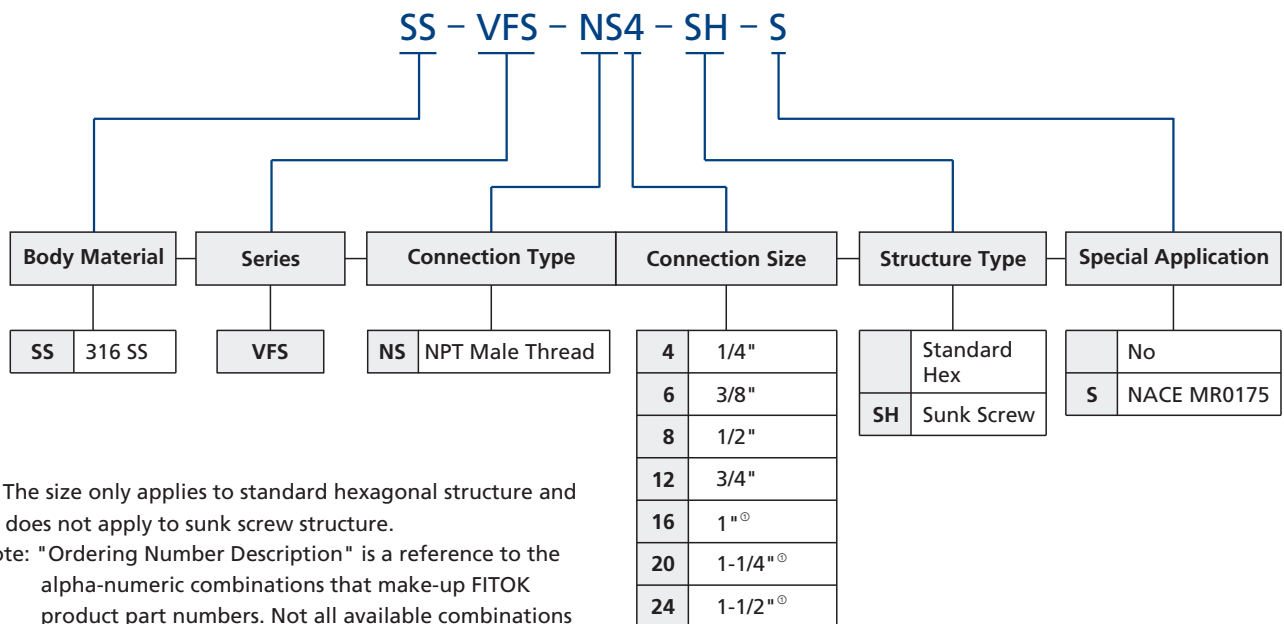
NPT Male Thread				
Basic Ordering Number	Connection Type and Size	Dimension, in.(mm)		
		L	F	G
□□-VFS-NS4	1/4" NPT Male Thread	1.63(41.3)	0.88(22.2)	0.75(19.1)
□□-VFS-NS6	3/8" NPT Male Thread	1.56(39.7)	0.88(22.2)	0.75(19.1)
□□-VFS-NS8	1/2" NPT Male Thread	1.50(38.1)	0.88(22.2)	0.75(19.1)
□□-VFS-NS12	3/4" NPT Male Thread	1.63(41.3)	1.13(28.6)	0.75(19.1)
□□-VFS-NS16	1" NPT Male Thread	2.19(55.6)	1.31(33.3)	0.81(20.6)
□□-VFS-NS20	1 1/4" NPT Male Thread	2.31(58.7)	1.75(44.5)	0.88(22.2)
□□-VFS-NS24	1 1/2" NPT Male Thread	2.63(66.7)	2.00(50.8)	0.88(22.2)

Sunk Screw



NPT Male Thread			
Basic Ordering Number	Connection Type and Size	Dimension, in.(mm)	
		L	F
□□-VFS-NS4-SH	1/4" NPT Male Thread	1.63(41.3)	0.88(22.2)
□□-VFS-NS6-SH	3/8" NPT Male Thread	1.56(39.7)	0.88(22.2)
□□-VFS-NS8-SH	1/2" NPT Male Thread	1.50(38.1)	0.88(22.2)
□□-VFS-NS12-SH	3/4" NPT Male Thread	1.63(41.3)	1.13(28.6)

Ordering Number Description



① The size only applies to standard hexagonal structure and does not apply to sunk screw structure.

Note: "Ordering Number Description" is a reference to the alpha-numeric combinations that make-up FITOK product part numbers. Not all available combinations are listed.

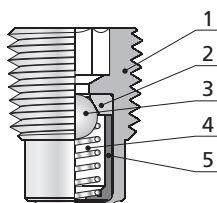
Internal Check Fittings

ICS Series

Features

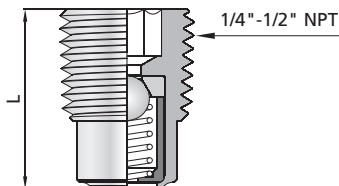
- Maximum working pressure: 10,000 psig (690 bar)
- Soft seat design ensures reliable sealing performance
- Materials compliant with NACE MR0175 in sour gas service optional

Standard Materials of Construction



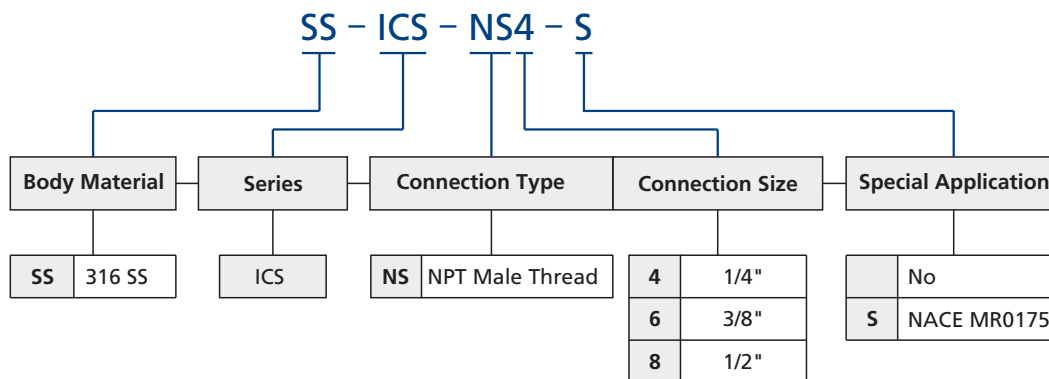
No.	Component	Material Grade/ASTM Specification
1	Body	316 SS/A479
2	Soft Seat	PTFE
3	Ball	440C/A276
4	Spring	Alloy X-750/AMS 5699
5	Retainer	316 SS/A479

Dimensions



Basic Ordering Number	Connection Type and Size	Dimension, in.(mm)
		L
□□-ICS-NS4	1/4" NPT Male Thread	0.75(19.1)
□□-ICS-NS6	3/8" NPT Male Thread	0.87(22.2)
□□-ICS-NS8	1/2" NPT Male Thread	0.94(23.8)

Ordering Number Description



Note: "Ordering Number Description" is a reference to the alpha-numeric combinations that make-up FITOK product part numbers. Not all available combinations are listed.

Fittings Accessories

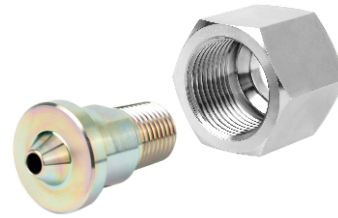
Grease Gun Lube Adapter

Features

- Adapts to grease gun via 1/4" NPT male threads

Ordering Information

Ordering Number	Swivel	Nut	Nut Thread Size
	Material Grade/ASTM Specification		
GLASS-16	4140/A29	316 SS/A479	1" - 14 UNS
GLAC41-16		4140/A29	



Pressure Relief Tools

Features

- For service up to 10,000 psig
- For 1" - 14 UNS vented cap fittings

Ordering Information

Ordering Number	Material Grade/ASTM Specification	Thread Size	Vent Port
PRTSS-16	316 SS/A479	1" - 14 UNS	1/2" NPT



info@fitokgroup.com
www.fitok.com

FK-IC-GF-13-EN-220804