

# Vacuum Generators

## VG Series

### Features

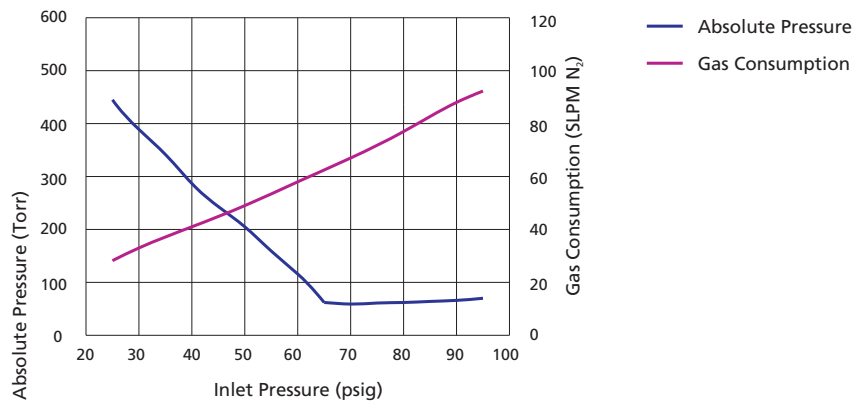
- ⦿ Designed for use in gas delivery system to improve purging efficiency
- ⦿ All-welded design
- ⦿ Vacuum pressure 60 Torr (-93.3 kPa) Max.
- ⦿ Internal surface roughness of Ra 20  $\mu\text{m}$ . (0.51  $\mu\text{m}$ )
- ⦿ 100% helium leak tested
- ⦿ Variety of end connections



### Technical Data

Ultimate Vacuum Pressure	60 Torr (-93.3 kPa)
Gas Pressure at Ultimate	70 psig (4.8 bar)
Gas Flow at Ultimate	67 l/min
Max. Working Pressure	145 psig (10 bar)
Working Temperature	32 ~ 302 °F (0 ~ 150 °C)

### Vacuum and Flow Specification



Fittings

Valves

Pressure Gauges

Integrated Systems and Others

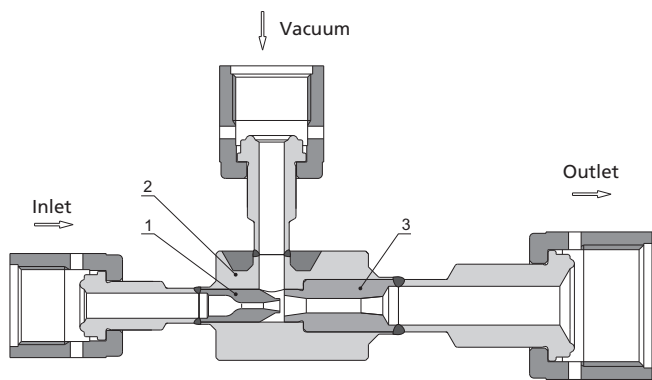
Process Specification

## Process Specification

Process Specification	Standard Cleaning and Packaging (FC-01)	Special Cleaning and Packaging (FC-02)	Ultra High Purity (FC-03)
Technology			
Material/Specification	316L SS/SEMI F20		
Wetted Surface Roughness	Ra 20 µin. (0.51 µm)		
Polishing Process	Machine finished		

Note: For details about process specifications, see Cleaning and Packaging Process Specifications on page P-01.

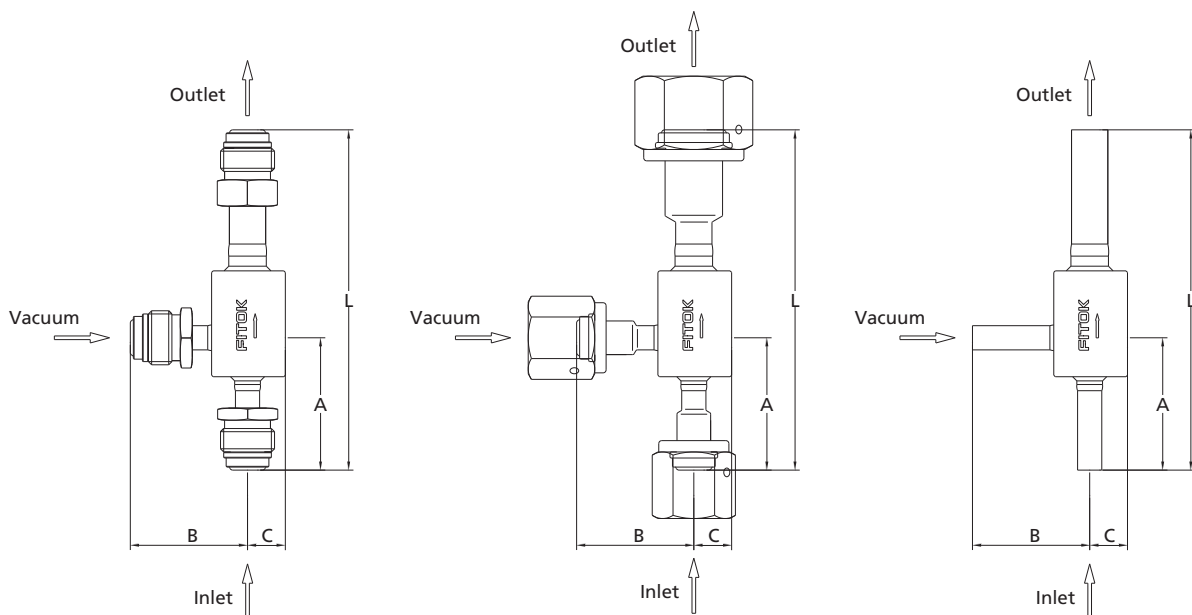
## Major Materials of Construction



Item	Component	Material/Specification
1	Nozzle	316L SS/SEMI F20
2	Body	
3	Diffuser	

## Ordering Information and Dimensions

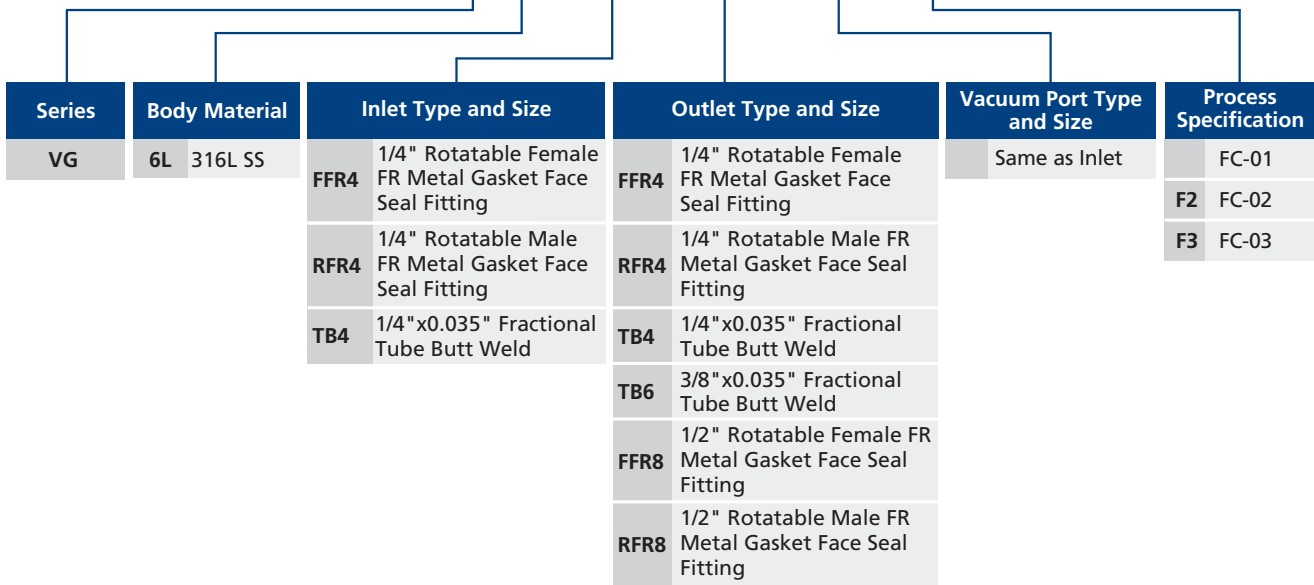
Dimensions, in inches (millimeters), are for reference only.



Basic Ordering Number	Connection Type and Size	Dimensions, in. (mm)			
		L	A	B	C
VG□□-FFR4-	Inlet, Outlet and Vacuum: 1/4" Rotatable Female FR Metal Gasket Face Seal Fitting	3.54 (90.0)	1.38 (35.0)	1.22 (31.0)	0.39 (10.0)
VG□□-RFR4-	Inlet, Outlet and Vacuum: 1/4" Rotatable Male FR Metal Gasket Face Seal Fitting				
VG□□-FFR4-FFR8-FFR4-	Inlet and Vacuum: 1/4" Rotatable Female FR Metal Gasket Face Seal Fitting Outlet: 1/2" Rotatable Female FR Metal Gasket Face Seal Fitting				
VG□□-RFR4-RFR8-RFR4-	Inlet and Vacuum: 1/4" Rotatable Male FR Metal Gasket Face Seal Fitting Outlet: 1/2" Rotatable Male FR Metal Gasket Face Seal Fitting				
VG□□-TB4-TB6-TB4-	Inlet and Vacuum: 1/4"x0.035" Fractional Tube Butt Weld Outlet: 3/8"x0.035" Fractional Tube Butt Weld				

### Ordering Number Description

#### VG6L - FFR4 - FFR8 - FFR4 - F2



Note: "Ordering Number Description" is a reference to understand the combination rules of FITOK product part number. Not all combinations are available.

Fittings  
Valves  
Pressure Gauges  
Integrated Systems and Others  
Process Specification